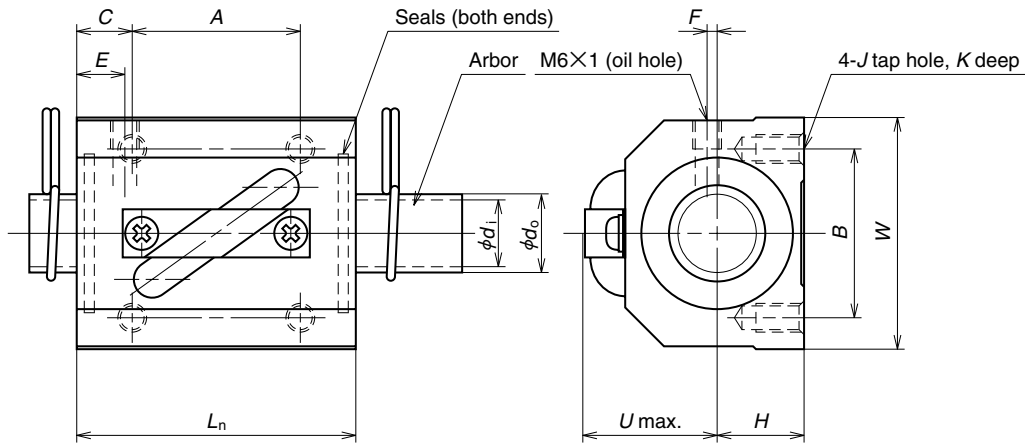


## R Series : Rolled ball screws

Return tube type, Square nut (Fine, medium lead)

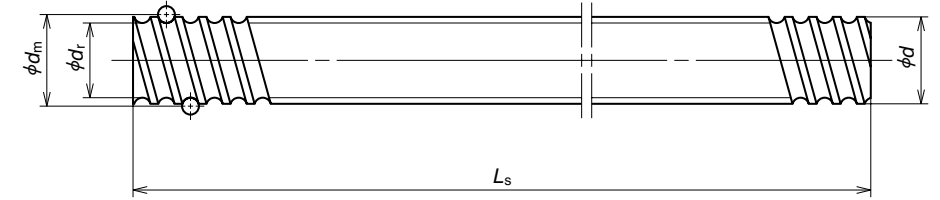


Ball nut No.	Shaft dia. $d$	Lead $l$	Ball dia. $D_b$	Ball circle dia. $d_m$	Root dia. $d_r$	Effective turns of balls Turns × Circuits	Basic load rating (N)		Axial play Max.	Ball nut dimensions	
							Dynamic $C_d$	Static $C_{0a}$		Length $L_n$	Length
<b>RNSTL 1404A3.5S</b>	14	4	2.778	14.5	11.5	3.5×1	5370	10800	0.10	38	
<b>RNSTL 1405A2.5S</b>	14	5	3.175	14.5	11.0	2.5×1	5260	9720	0.10	38	
<b>RNSTL 1808A3.5S</b>	18	8	4.762	18.5	13.6	3.5×1	13200	25800	0.15	56	
<b>RNSTL 2005A2.5S</b>	20	5	3.175	20.5	17.0	2.5×1	6360	14200	0.10	38	
<b>RNSTL 2010A2.5S</b>	20	10	4.762	21.25	16.2	2.5×1	10900	21800	0.15	58	
<b>RNSTL 2505A2.5S</b>	25	5	3.175	25.5	22.0	2.5×1	7070	18200	0.10	35	
<b>RNSTL 2510A5S</b>	25	10	6.35	26	19.0	2.5×2	31800	70300	0.20	94	
<b>RNSTL 2806A2.5S</b>	28	6	3.175	28.5	25.0	2.5×1	7430	20300	0.10	42	
<b>RNSTL 2806A5S</b>						2.5×2	13500	40600		67	
<b>RNSTL 3210A2.5S</b>	32	10	6.35	33.75	27.0	2.5×1	19700	46100	0.20	64	
<b>RNSTL 3210A5S</b>						2.5×2	35700	92200		94	
<b>RNSTL 3610A2.5S</b>	36	10	6.35	37	30.0	2.5×1	21000	51000	0.20	64	
<b>RNSTL 3610A5S</b>						2.5×2	38100	102000		96	
<b>RNSTL 4512A5S</b>	45	12	7.144	46.5	39.0	2.5×2	49600	147000	0.23	115	

- Remarks
1. The actual screw shaft length may be slightly longer than nominal length  $L_s$  due to manufacturing tolerance.
  2. Nut assembly with arbor and screw shaft are separated at time of delivery.
  3. The value obtained by dividing the standard screw length by 100 mm will be entered at the end of the reference number where marked with "\*\* \*."

## Nut model: RNSTL

NSK



Unit: mm

Ball nut dimensions											Nut Mass. (kg)	Arbor		Screw shaft		Shaft mass/m (kg)	
Width $W$	Center height $H$	Bolt hole					Oil hole					Outside dia. $d_o$	Bore $d_i$	Standard length			Screw shaft No.
		$A$	$B$	$C$	$J$	$K$	$E$	$F$	$U$	$L_s$							
34	13	22	26	8	M4	7	7	3	20	0.20	11.5	9.5	500	1000	RS1404A**	1.02	
34	13	22	26	8	M4	7	7	3	21	0.20	11.0	9.0	500	1000	RS1405A**	1.00	
48	17	35	35	10.5	M6	10	8	3	26	0.31	13.6	11.6	500	1000	1500	RS1808A**	1.60
48	17	22	35	8	M6	9	6	2	27	0.24	17.0	14.6	500	1000	2000	RS2005A**	2.17
48	18	35	35	11.5	M6	10	10	2	28	0.35	16.2	13.8	500	1000	2000	RS2010A**	2.18
60	20	22	40	6.5	M8	10	6	0	27	0.31	22.0	19.6	1000	2000	2500	RS2505A**	3.47
60	23	60	40	17	M8	12	10	0	32	1.32	19.0	16.6	1000	2000	2500	RS2510A**	3.13
60	22	18	40	12	M8	12	8	0	32	0.65	25.0	22.6	1000	2000	2500	RS2806A**	4.47
60	22	40	40	13.5													
70	26	45	50	9.5	M8	12	10	0	38	1.12	27.0	24.6	1000	2000	3000	RS3210A**	5.53
70	26	60	50	17													
86	29	45	60	9.5	M10	16	11	0	41	1.76	30.0	27.6	1000	2000	3000	RS3610A**	6.91
86	29	60	60	18													
100	36	75	75	20	M12	20	13	0	46	1.22	39.0	35.8	2000	3000	4000	RS4512A**	11.16

- Remarks
4. Items in stock are not applied surface treatment.
  5. Seal for those with the shaft diameter of 14 mm or less is made of synthetic resin. Seal for those with 18 mm or larger is "Brush-seal."