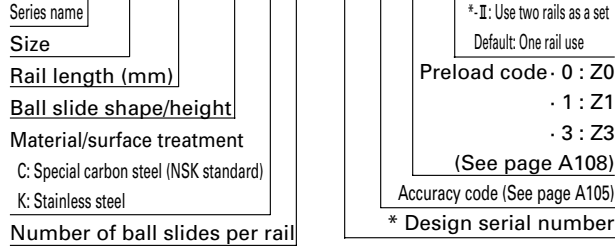


SS-AL (High load type)  
SS-CL (Medium load type)

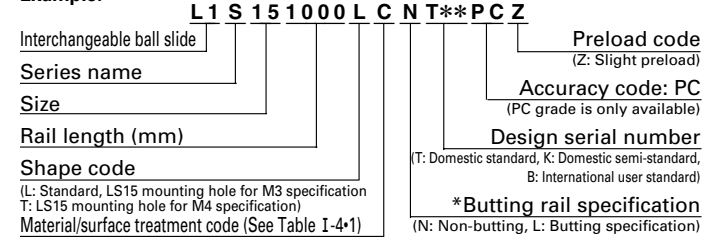
SS 350840 AL C 2 - \*\* PN 0 - II



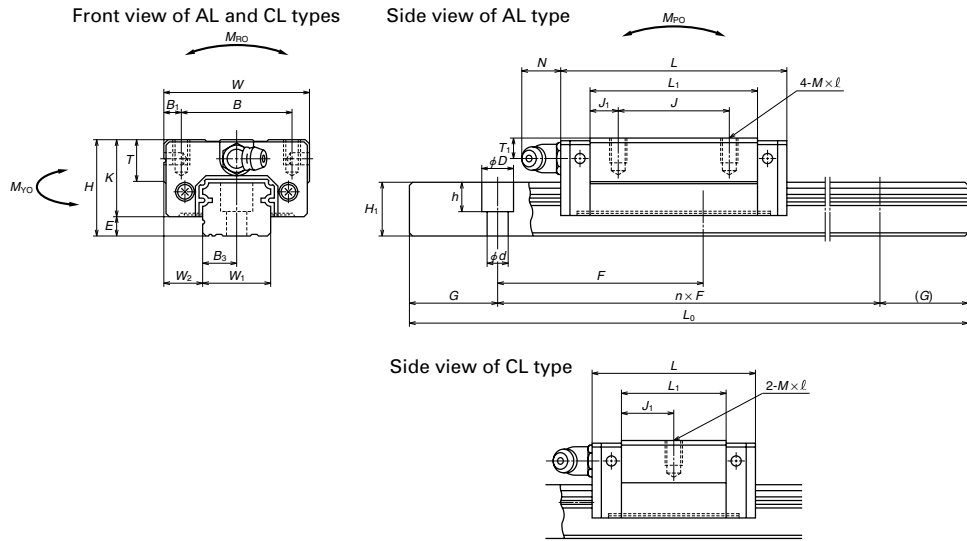
\*-II: Use two rails as a set  
Default: One rail use  
Preload code: 0 : Z0  
. 1 : Z1  
. 3 : Z3  
(See page A108)  
Accuracy code (See page A105)  
\* Design serial number  
\* Please note that we assign the design number, and omit the last code (II) that indicates a use of two rails as a set to finalize the reference number as product identification.

Reference number for rail of interchangeable types  
For regular rails (non-jointed rail)

Example:

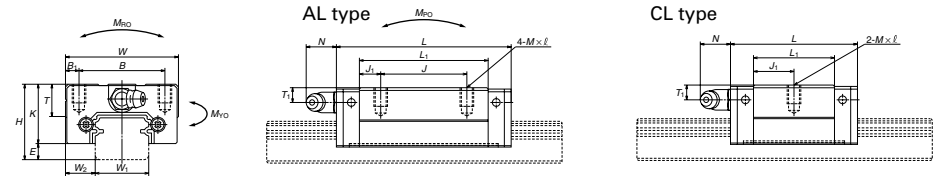
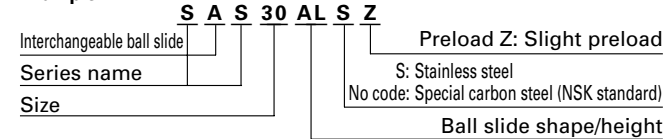


\* Please consult with NSK for butting rail specification.



Reference number for ball slide of interchangeable types

Example:



Model No.	Assembly			Ball slide												
	Height	Width	Length	Mounting hole							Grease fitting					
				H	E	W <sub>2</sub>	W	L	B	J	Mxpitchxℓ	B <sub>1</sub>	L <sub>1</sub>	J <sub>1</sub>	K	T
SS15CL SAS15CL SS15AL SAS15AL	24	4.6	9.5	34	40.4 56.8	26	- 26	M4x0.7x6	4	23.6 40	11.8 7	19.4	10	φ3	6	3
SS20CL SAS20CL SS20AL SAS20AL	28	6	11	42	47.2 65.2	32	- 32	M5x0.8x7	5	30 48	15 8	22	12	M6x0.75	5.5	11
SS25CL SAS25CL SS25AL SAS25AL	33	7	12.5	48	59.6 81.6	35	- 35	M6x1x9	6.5	38 60	19 12.5	26	12	M6x0.75	7	11
SS30CL SAS30CL SS30AL SAS30AL	42	9	16	60	67.4 96.4	40	- 40	M8x1.25x12	10	42 71	21 15.5	33	13	M6x0.75	8	11
SS35CL SAS35CL SS35AL SAS35AL	48	10.5	18	70	77 108	50	- 50	M8x1.25x12	10	49 80	24.5 15	37.5	14	M6x0.75	8.5	11

Rail							Basic load rating					Ball diameter	Weight	
Width	Height	Pitch	Mounting bolt hole dxDxh	B <sub>3</sub>	G (recomm ended)	Max. length L <sub>0max</sub> (l for stainless)	Dynamic C (N)	Static C <sub>0</sub> (N)	Static moment (N-m)			D <sub>w</sub>	Ball slide (kg)	Rail (kg/m)
W <sub>1</sub>	H <sub>1</sub>	F							M <sub>Bo</sub>	M <sub>po</sub>	M <sub>vo</sub>			
15	12.5	60	※3.5x6x4.5 4.5x7.5x5.3	7.5	20	2 000 (1 700)	4 900 7 900	7 800 15 600	39 78	21 74	18 62	2.778	0.14 0.2	1.4
20	15.5	60	6x9.5x8.5	10	20	3 960 (3 500)	7 250 11 100	11 800 21 800	80 149	40 124	34 104	3.175	0.19 0.28	2.3
23	18	60	7x11x9	11.5	20	3 960 (3 500)	12 700 17 900	20 800 33 500	164 266	96 242	81 203	3.968	0.34 0.51	3.1
28	23	80	7x11x9	14	20	4 000 (3 500)	18 700 27 300	29 600 50 500	282 480	153 415	128 350	4.762	0.58 0.85	4.8
34	27.5	80	9x14x12	17	20	4 000 (3 500)	26 000 38 000	40 000 68 500	465 800	234 620	196 520	5.556	0.86 1.3	7

※ Standard mounting hole of SS15 rail is for M3 bolts (Hole size: 3.5x6x4.5).  
If you require the mounting hole for M4 bolts (Hole size: 4.5x7.5x5.3), please specify it when ordering.

The basic dynamic load rating is a load that furnishes 50 km rating fatigue life; it is a vertical and constant load to the ball slide mounting surface.

When converting the basic dynamic load rating C to the dynamic load rating C<sub>100</sub> for 100 km rating fatigue life, divide the C by 1.26

**SS-EL (High load type)**  
**SS-JL (Medium load type)**

**SS 350840 EL C 2 - \*\*PN 0 - II**

Series name: SS 350840  
Size: EL  
Rail length (mm): C  
Ball slide shape/height: 2  
Material/surface treatment: \*\*PN  
Number of ball slides per rail: 0 - II

\* II: Use two rails as a set  
Default: One rail use

Preload code: 0 : Z0  
. 1 : Z1  
. 3 : Z3

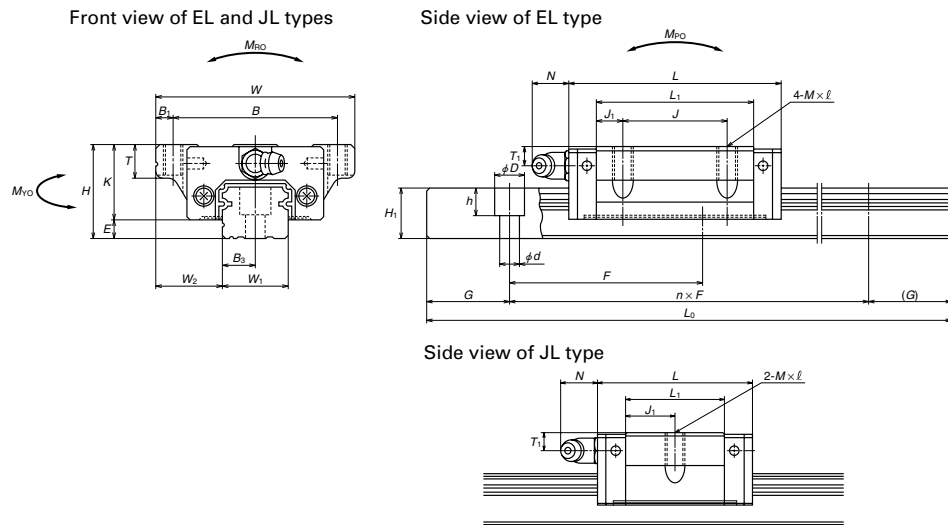
(See page A108) \* Please note that we assign the design number, and omit the last code (II) that indicates a use of two rails as a set to finalize the reference number as product identification.

Accuracy code (See page A105) \* Design serial number

**Reference number for rail of interchangeable types**  
**For regular rails (non-jointed rail)**

**Example:** **L1 S 15 1000 L C N T \*\*PC Z**

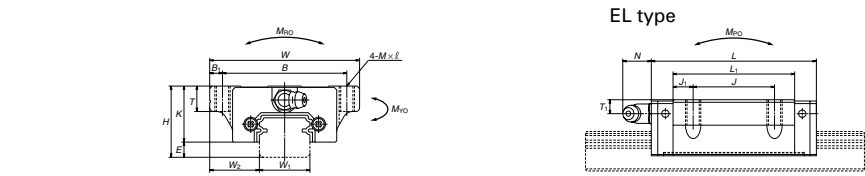
Interchangeable ball slide: L1  
Series name: S  
Size: 15  
Rail length (mm): 1000  
Shape code: L  
Material/surface treatment code (See Table I-4\*1): C  
Preload code (Z: Slight preload): N  
Accuracy code: PC  
Design serial number (T: Domestic standard, K: Domestic semi-standard, B: International user standard): T  
\*Butting rail specification (N: Non-butting, L: Butting specification): \*\*  
Please consult with NSK for butting rail specification.



**Reference number for ball slide of interchangeable types**

**Example:** **S A S 30 EL S Z**

Interchangeable ball slide: S A S  
Series name: 30  
Size: EL  
Preload Z: Slight preload  
S: Stainless steel  
No code: Special carbon steel (NSK standard)  
Ball slide shape/height: S Z



Model No.	Assembly			Ball slide												
	Height H	E	W <sub>2</sub>	Width W	Length L	Mounting hole					Grease fitting					
						B	J	Mxpitchxℓ	B <sub>1</sub>	L <sub>1</sub>	J <sub>1</sub>	K	T	Hole size	T <sub>1</sub>	N
<b>SS15JL</b> <b>SS15EL SAS15EL</b>	24	4.6	18.5	52	40.4 56.8	41	- 26	M5x0.8x6	5.5	23.6 40	11.8 7	19.4	8	φ3	6	3
<b>SS20JL</b> <b>SS20EL SAS20EL</b>	28	6	19.5	59	47.2 65.2	49	- 32	M6x1x10	5	30 48	15 8	22	10	M6x0.75	5.5	11
<b>SS25JL</b> <b>SS25EL SAS25EL</b>	33	7	25	73	59.6 81.6	60	- 35	M8x1.25x12	6.5	38 60	18 12.5	26	11 (12)	M6x0.75	7	11
<b>SS30JL</b> <b>SS30EL SAS30EL</b>	42	9	31	90	67.4 96.4	72	- 40	M10x1.5x18 (M10x1.5x15)	9	42 71	21 15.5	33	11 (15)	M6x0.75	8	11
<b>SS35JL</b> <b>SS35EL SAS35EL</b>	48	10.5	33	100	77 108	82	- 50	M10x1.5x20 (M10x1.5x15)	9	49 80	24.5 15	37.5	12 (15)	M6x0.75	8.5	11

※Dimensions in ( ) are applicable to stainless steel products.  
※The external appearance of stainless steel ball slides differs from those of standard material ball slide.

Rail							Basic load rating					Ball diameter	Weight	
Width W <sub>1</sub>	Height H <sub>1</sub>	Pitch F	Mounting bolt hole d x D x h	B <sub>3</sub>	G (recomm ended)	Max. length L <sub>0max</sub> ( ) for stainless	Dynamic C (N)	Static C <sub>0</sub> (N)	Static moment			D <sub>w</sub>	Ball slide (kg)	Rail (kg/m)
									M <sub>BO</sub>	M <sub>PO</sub>	M <sub>VO</sub>			
15	12.5	60	※ 3.5x6x4.5 4.5x7.5x5.3	7.5	20	2 000 (1 700)	4 900 7 900	7 800 15 600	39 78	21 74	18 62	2.778	0.17 0.26	1.4
20	15.5	60	6x9.5x8.5	10	20	3 960 (3 500)	7 250 11 100	11 800 21 800	80 149	40 124	34 104	3.175	0.24 0.35	2.3
23	18	60	7x11x9	11.5	20	3 960 (3 500)	12 700 17 900	20 800 33 500	164 266	96 242	81 203	3.968	0.44 0.66	3.1
28	23	80	7x11x9	14	20	4 000 (3 500)	18 700 27 300	29 600 50 500	282 480	153 415	128 350	4.762	0.76 1.2	4.8
34	27.5	80	9x14x12	17	20	4 000 (3 500)	26 000 38 000	40 000 68 500	465 800	234 620	196 520	5.556	1.2 1.7	7

※ Standard mounting hole of SS15 rail is for M3 bolts (Hole size: 3.5x6x4.5).  
If you require the mounting hole for M4 bolts (Hole size: 4.5x7.5x5.3), please specify it when ordering.  
The basic dynamic load rating is a load that furnishes 50 km rating fatigue life, it is a vertical and constant load to the ball slide mounting surface.  
When converting the basic dynamic load rating C to the dynamic load rating C<sub>100</sub> for 100 km rating fatigue life, divide the C by 1.26

SS-FL (High load type)  
SS-KL (Medium load type)

SS 350840 FL C 2 - \*\*PN 0 - II

Series name  
Size  
Rail length (mm)  
Ball slide shape/height  
Material/surface treatment  
C: Special carbon steel (NSK standard)  
K: Stainless steel  
Number of ball slides per rail

\*.II: Use two rails as a set  
Default: One rail use

Preload code: 0 : Z0

. 1 : Z1

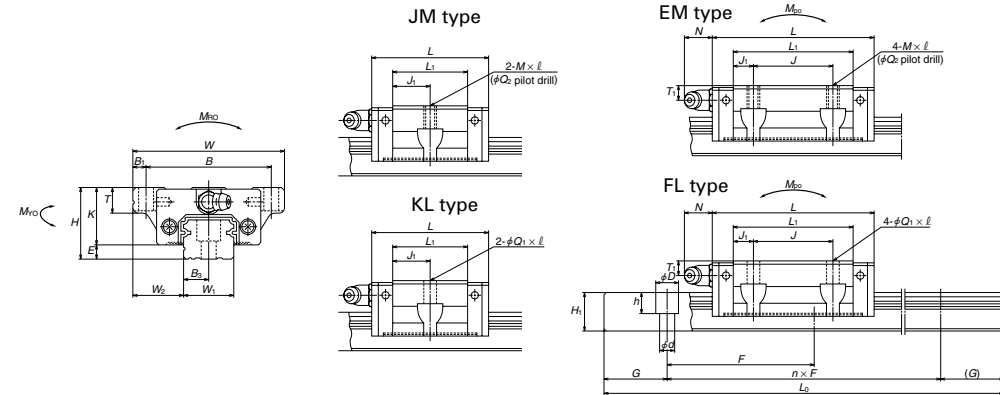
. 3 : Z3

(See page A108)

Accuracy code (See page A105)

\* Design serial number

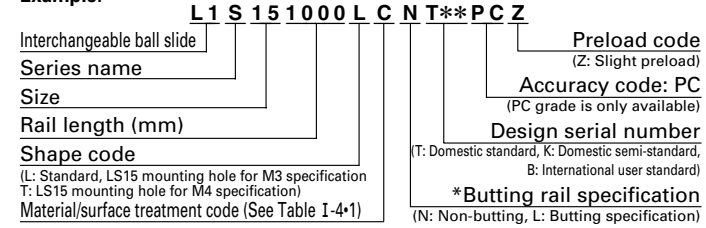
\* Please note that we assign the design number, and omit the last code (II) that indicates a use of two rails as a set to finalize the reference number as product identification.



Reference number for rail of interchangeable types

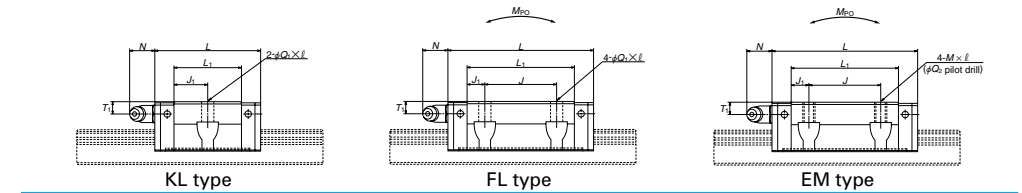
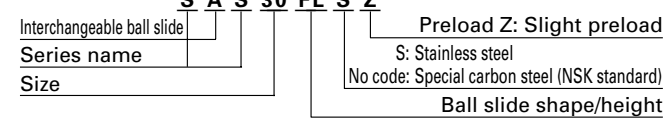
For reference rails (non-jointed rail)

Example:



Reference number for ball slide of interchangeable types

Example:



Model No.	Assembly			Ball slide											Grease fitting				
	Height	Width	Length	Mounting hole							$Q_2$	$B_1$	$L_1$	$J_1$	$K$	$T$	Hole size	$T_1$	$N$
				$H$	$E$	$W_2$	$W$	$L$	$B$	$J$									
SS15KL SAS15KL	24	4.6	18.5	52	40.4	41	26	M5×0.8×7	4.4	5.5	23.6	11.8	19.4	8	$\phi 3$	6	3		
SS15FL SAS15FL																			
SS15EM SAS15EM																			
SS20KL SAS20KL																			
SS20JL	28	6	19.5	59	47.2	49	32	M6×1×9	5.3	5	30	15	22	10	M6×0.75	5.5	11		
SS20FL SAS20FL																			
SS20EM SAS20EM																			
SS25KL SAS25KL																			
SS25JL	33	7	25	73	59.6	60	35	M8×1.25×10	6.8	6.5	38	19	26	11 (12)	M6×0.75	7	11		
SS25FL SAS25FL																			
SS25EM SAS25EM																			
SS30KL SAS30KL																			
SS30JL	42	9	31	90	67.4	72	40	M10×1.5×12	8.6	9	42	21	33	11 (15)	M6×0.75	8	11		
SS30FL SAS30FL																			
SS30EM SAS30EM																			
SS35KL SAS35KL																			
SS35JL	48	10.5	33	100	77	82	50	M10×1.5×13	8.6	9	49	24.5	37.5	12 (15)	M6×0.75	8.5	11		
SS35FL SAS35FL																			
SS35EM SAS35EM																			

\*Dimensions in ( ) are applicable to stainless steel products.

\*The external appearance of stainless steel ball slides differs from those of standard material ball slide.

Rail						Basic load rating					Ball diameter	Weight	
Width	Height	Pitch	Mounting bolt hole	$B_3$	$G$ (recomm. ended)	Dynamic $C$ (N)	Static $C_0$ (N)	Static moment $M_{r0}$ , $M_{rP0}$ , $M_{rV0}$ (N·m)			$D_w$	Ball slide (kg)	Rail (kg/m)
15	12.5	60	$3.5 \times 6 \times 4.5$ $4.5 \times 7.5 \times 5.3$	7.5	20	4900	7800	39	21	18	2.778	0.17	1.4
20	15.5	60	6×9.5×8.5	10	20	7250	11800	80	40	34	3.175	0.26	2.3
23	18	60	7×11×9	11.5	20	11100	21800	149	124	104	3.968	0.35	3.1
28	23	80	7×11×9	14	20	12700	20800	266	242	203	4.762	0.44	4.8
34	27.5	80	9×14×12	17	20	17900	33500	480	415	350	5.556	0.66	7

\* Standard mounting hole of SS15 rail is for M3 bolts (Hole size: 3.5×6×4.5).

\* If you require the mounting hole for M4 bolts (Hole size: 4.5×7.5×5.3), please specify it when ordering.

The basic dynamic load rating is a load that furnishes 50 km rating fatigue life; it is a vertical and constant load to the ball slide mounting surface. When converting the basic dynamic load rating C to the dynamic load rating  $C_{100}$  for 100 km rating fatigue life, divide the C by 1.26